

# Nivotemp 61-2W11-3LED-M12

- Daimler specification -



By researching existing standards for fluid power packs including DIN 24346 regarding liquid level control, it was found that measuring to 11.8" depth was sufficient to control the level. Therefore the Buhler standard length of 14.6" is sufficient and covers most applications. Flange mounting is almost universal for breather/filler units so it is also suitable for mounting level controls.

The Nivotemp 61-2W11-3LED-M12 in this configuration complies with the Daimler requirements. The LED's into the transparent socket with an M12 connector indicate the working condition for the level.

Please note that our product range contains more Daimler specific versions of the Nivotemp and Nivovent series.

- **Adjustable level contacts**
- **Bistable level contacts = only one float**
- **High float sensitivity**
- **International standard flange dimensions**
- **Easy installation**

## Technical Data

Max. operating pressure	1 bar (14.5 psi)
Max. operating temperature	80 °C (176 °F)
Min. density of fluid	0.8 kg/dm <sup>3</sup> (0.029 lb/in <sup>3</sup> )

### Material

Float SK 610	hard PU
Switch tube	brass
Flange	PA 6

### Level contacts

Function	K10
Min. distance of contact	1.57"
Max. Voltage	24 V
Max. Current	0.5 A
Contact load	10 VA

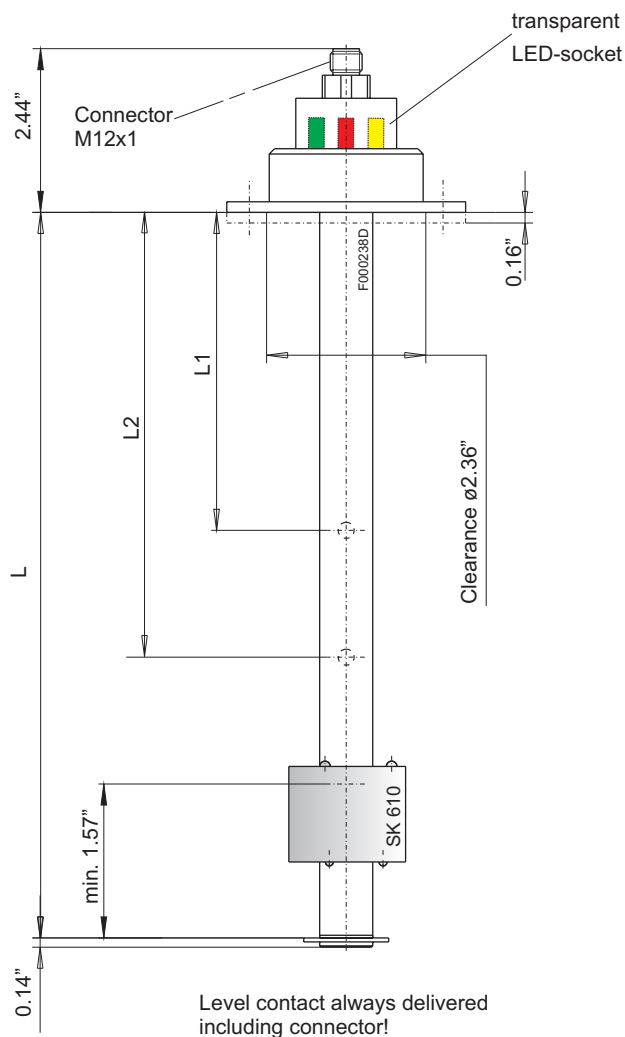
\* NC = normally closed / NO = normally open

All figures at empty reservoir

### Male plug

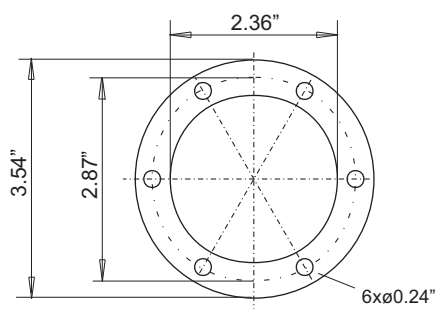
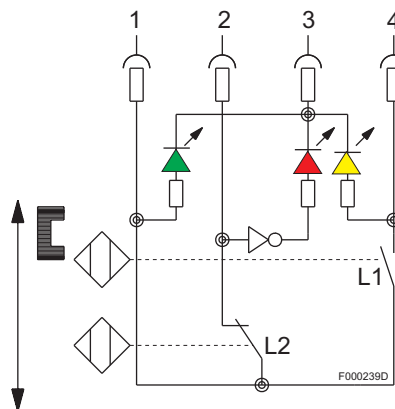
Protection class	M12 x 1 (4 pol. ) IP67 with female plug fixed
------------------	--

## Dimensions given in inch



## Wiring Diagram

normal position = at filled reservoir



## Ordering Information

Type	Part No.	L1	L2	Length L
Nivotemp 61-2W11-3LED-M12	1027899	variable NC	variable NO	variable

\* NC = normally closed / NO = normally open

### Accessories

Part No.  
9144050018

Connecting cable M12x1 with 1 x 5 pole M12 plug cable length: 9.8 ft