

# Fluidcontrolterminal GM-GL

- Opel / GM Specification -

## Technical Data

Max. operating pressure 1 bar (14.5 psi)  
 Max. operating temperature 80 °C (176 °F)  
 Min. density of fluid 0.8 kg/dm<sup>3</sup> (0.029 lb/in<sup>3</sup>)

### Material

Float SK 610 hard PU  
 Switch tube brass  
 Stilling tube brass  
 Housing material PA 12  
 Flange galvanized steel  
 Breather retention rate SM-L (3 µm)

Male plug M12 (4-pol.)  
 Protection class IP 67 with female plug fixed

### Level contacts

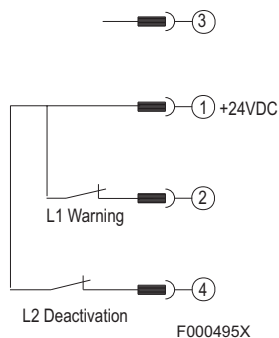
2 x K10  
 Function NO  
 Max. voltage 24 V AC/DC  
 Max. current 0.5 A  
 Max. contact load 10 VA

### Scope of delivery

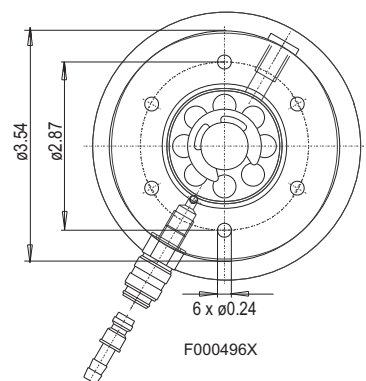
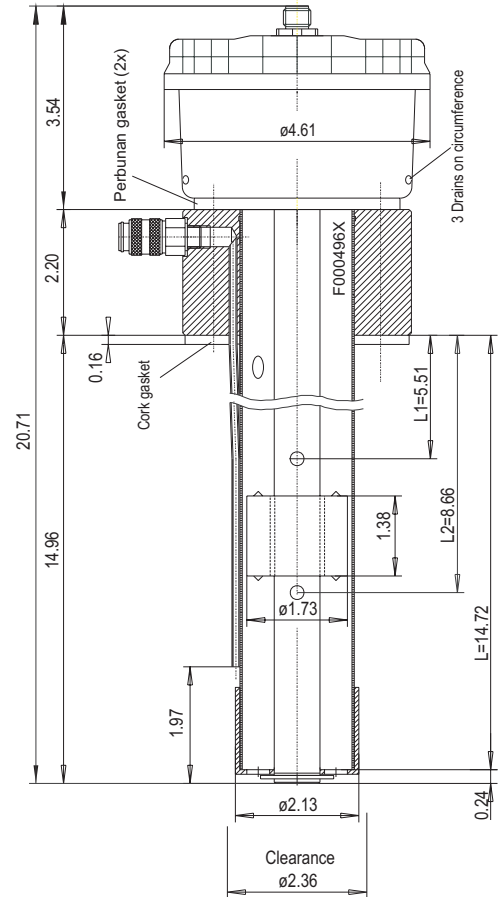
Sample point outlet hose coupling Rico-Mini DN 5  
 Breather filter PI 0125-S:M-L  
 Head screws 6 x M5x80  
 Gaskets GI-cork-gasket  
 2x Perbunan gasket

### Wiring diagram

Normal position = at filled reservoir



## Dimensions given in inch



we reserved the right to amend specification

## Order Information

Type	Part No.	L	L1	L2
Fluidcontrolterminal GM-GL	10100599	14.57"	5.51" NO*	8.66" NO*

NO=normally open

### Accessories

Part No. 9144050018 Connecting cable M12x1 with 1 x 5 pole M12 plug cable length: 9.8 ft