

# Fluidcontrolterminal GM-D

- Opel / GM Specification -

## Technical Data

Max. operating pressure 1 bar (14.5 psi)  
 Max. operating temperature 80 °C (176 °F)  
 Min. density of fluid 0.8 kg/dm<sup>3</sup> (0.029 lb/in<sup>3</sup>)

### Material

Float SK 610 hard PU  
 Switch tube brass  
 Stilling tube brass  
 Housing material PA 12  
 Flange galvanized steel  
 Breather retention rate SM-L (3 µm)

Male plug M12 (4-pol.)  
 Protection class IP 67 with female plug fixed

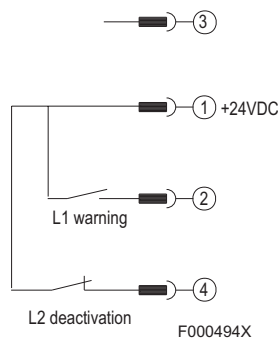
**Level contacts** 2 x K10  
 Function L1 = NC / L2 = NO  
 Max. voltage. 230 V AC/DC  
 Max. current 0.5 A  
 Max. contact load 10 VA

### Scope of delivery

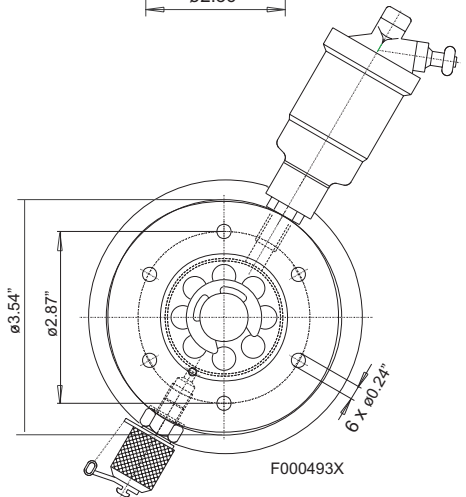
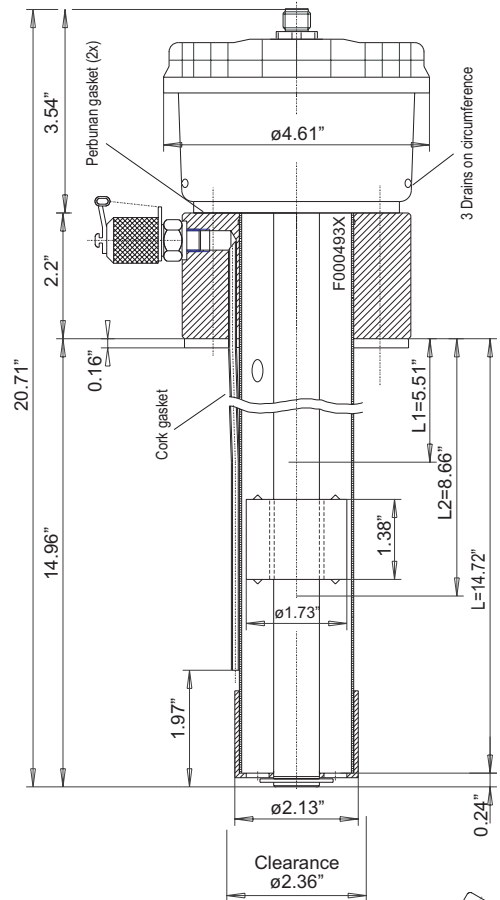
Sample point outlet Minimes 1620  
 Breather filter PI 0125-SM-L  
 Visual filter indicator TB 746/1  
 Head screws 6 x M5x80  
 Gaskets GI-cork-gasket  
 2x Perbunan gasket

### Wiring Diagram

Normal position = at filled reservoir



## Dimensions given in inch



we reserved the right to amend specification

## Order Information

Type	Part No.	L	L1	L2
Fluidcontrolterminal GM-D	10105399	14.6"	5.5" NC	8.7" NO

\*NC=normally closed / NO=normally open

### Accessories

Part No. 9144050018

Connecting cable M12x1 with 1 x 5 pole M12 plug cable length: 9.8 ft