

# Nivotemp 61-2W11-3LED-M12

- Daimler specification -



By researching existing standards for fluid power packs including DIN 24346 regarding liquid level control, it was found that measuring to 300 mm depth was sufficient to control the level. Therefore the Bühler standard length of 370 mm is sufficient and covers most applications. Flange mounting is almost universal for breather/filler units so it is also suitable for mounting level controls.

The Nivotemp 61-2W11-3LED-M12 in this configuration complies with the Daimler requirements. The LED's into the transparent socket with an M12 connector indicate the working condition for the level.

Please note that our programme contains more Daimler specific versions of the Nivotemp and Nivovent series.

- **Adjustable level contacts**
- **Bistable level contacts = only one float**
- **High float sensitivity**
- **International standard flange dimensions**
- **Easy installation**

## Technical Data

|                             |                        |
|-----------------------------|------------------------|
| Operating pressure max.     | 1 bar                  |
| Operating temperature max.  | 80 °C                  |
| Spec. gravity of float min. | 0.8 kg/dm <sup>3</sup> |

### Material

|              |         |
|--------------|---------|
| Float SK 610 | hard PU |
| Switch tube  | brass   |
| Flange       | PA 6    |

### Level contacts

|                          |       |
|--------------------------|-------|
| Function                 | K10   |
| Min. distance of contact | 40 mm |
| Max. Voltage             | 24 V  |
| Max. Current             | 0.5 A |
| Contact load             | 10 VA |

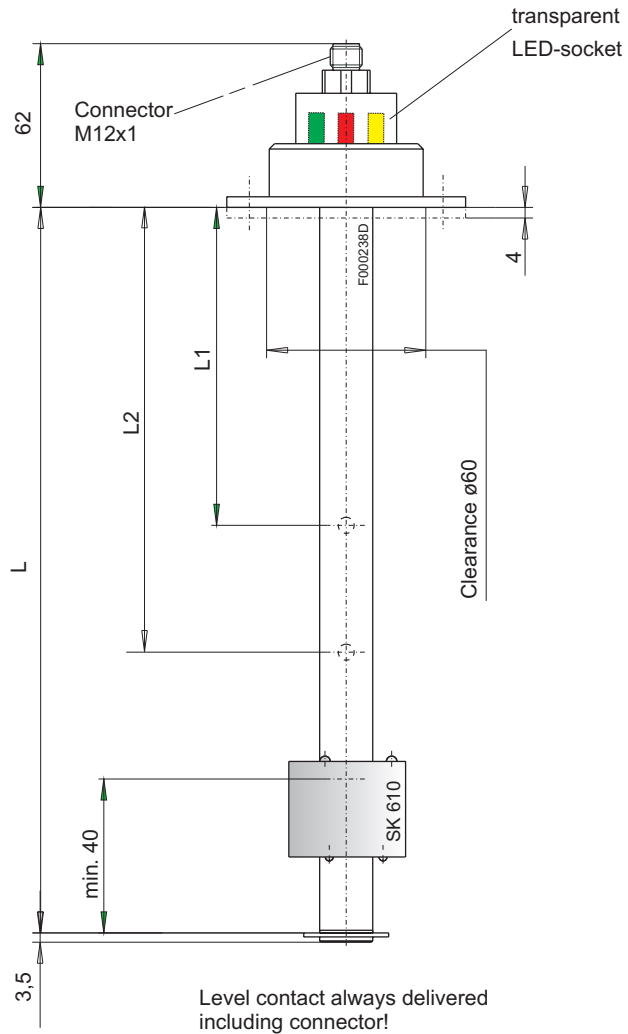
\* NC = normally closed / NO = normally open

All figures at empty reservoir

### Male plug

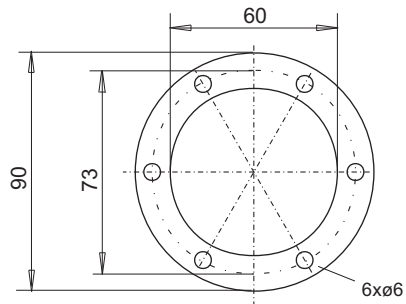
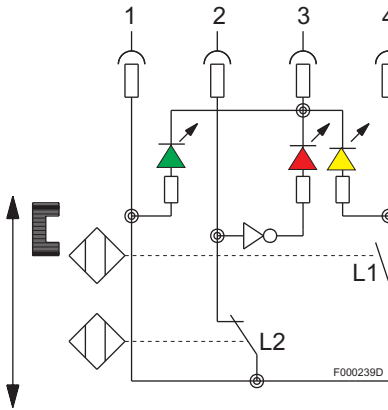
Protection class **M12 x 1 (4 pol. )**  
IP67 with female plug fixed

## Dimensions (mm)



## Wiring Diagram

normal position = at filled reservoir



## Ordering Information

| Type                      | Part No. | L1          | L2          | Length L |
|---------------------------|----------|-------------|-------------|----------|
| Nivotemp 61-2W11-3LED-M12 | 1027899  | variable NC | variable NO | variable |

\* NC = normally closed / NO = normally open

### Accessories

Part No.  
9144050018

Connecting cable M12x1 with 1 x 5 pole M12 plug cable length: 3.0 m